

---

## vicolux® Telecentric Light - TZB95-G525/UDC/-a

---

**Short description:** telecentric light, green, If diameter: 95 mm,  
flashable by flash controller

**Order number:** 1-10-954

**EAN:** 4251692646540



---

### Characteristics

- flashable telecentric LED lighting - parallel (collimated) beam path
  - ideal as backlight in combination with telecentric lenses
  - for the targeted highlighting of edges and surface structures as well as for the detection of inclusions and defects in transparent materials
  - connection: cable with M8 connector
  - diverse attachment options and extensive accessories
-

---

## Technical data

Light-emitting surface	Diameter: 95 mm
Light design	Telecentric
Light colour (typ.)	Green, 525 nm
Special feature	Flashable max. 0,5 ms und 15% on-time
Continuous current ( $I_{LED}$ )	max. 30 mA
Pulse mode	$2 \times I_{LED}$
Flash mode	$5 \times I_{LED}$
Housing material	Aluminium, black anodised
Optical material	Glass
Filter thread	M100 x 1 - depth 4 mm
Weight	3.200 g
Degree of protection	IP50
Safety class	Class III, safety extra low voltage (SELV)
Risk group (DIN EN 62471)	Freie Gruppe
Ambient temperature	0 °C ... 45 °C

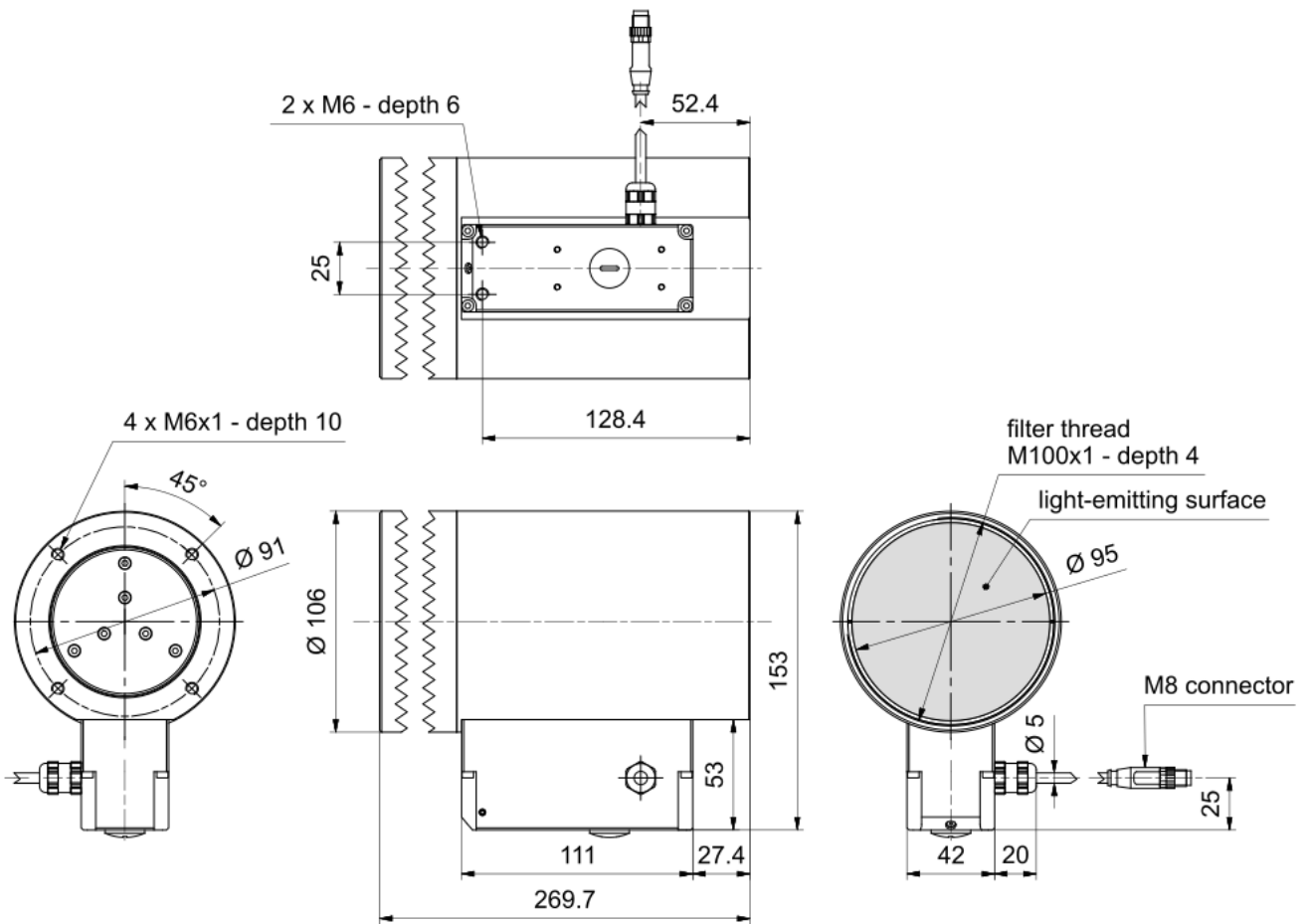
---

## Notices

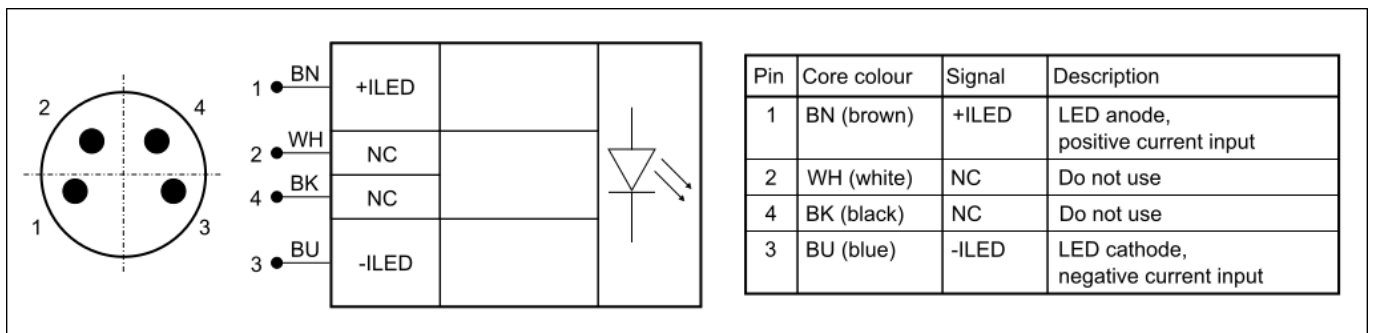
The lighting can only be operated in conjunction with a suitable Current source.

---

## Drawings



Dimensional drawing in mm



Pin assignment: M8 connector