
vicolux® Telecentric Light - TZB95-B470/UDC/-a

Short description: telecentric light, blue, If diameter: 95 mm,
flashable by flash controller

Order number: 1-10-951

EAN: 4251692646519



Characteristics

- flashable telecentric LED lighting - parallel (collimated) beam path
 - ideal as backlight in combination with telecentric lenses
 - for the targeted highlighting of edges and surface structures as well as for the detection of inclusions and defects in transparent materials
 - connection: cable with M8 connector
 - diverse attachment options and extensive accessories
-

Technical data

Light-emitting surface	Diameter: 95 mm
Light design	Telecentric
Light colour (typ.)	Blue, 470 nm
Special feature	Flashable max. 0,5 ms und 15% on-time
Continuous current (I_{LED})	max. 30 mA
Pulse mode	$2 \times I_{LED}$
Flash mode	$5 \times I_{LED}$
Housing material	Aluminium, black anodised
Optical material	Glass
Filter thread	M100 x 1 - depth 4 mm
Weight	3.200 g
Degree of protection	IP50
Safety class	Class III, safety extra low voltage (SELV)
Risk group (DIN EN 62471)	Freie Gruppe
Ambient temperature	0 °C ... 45 °C

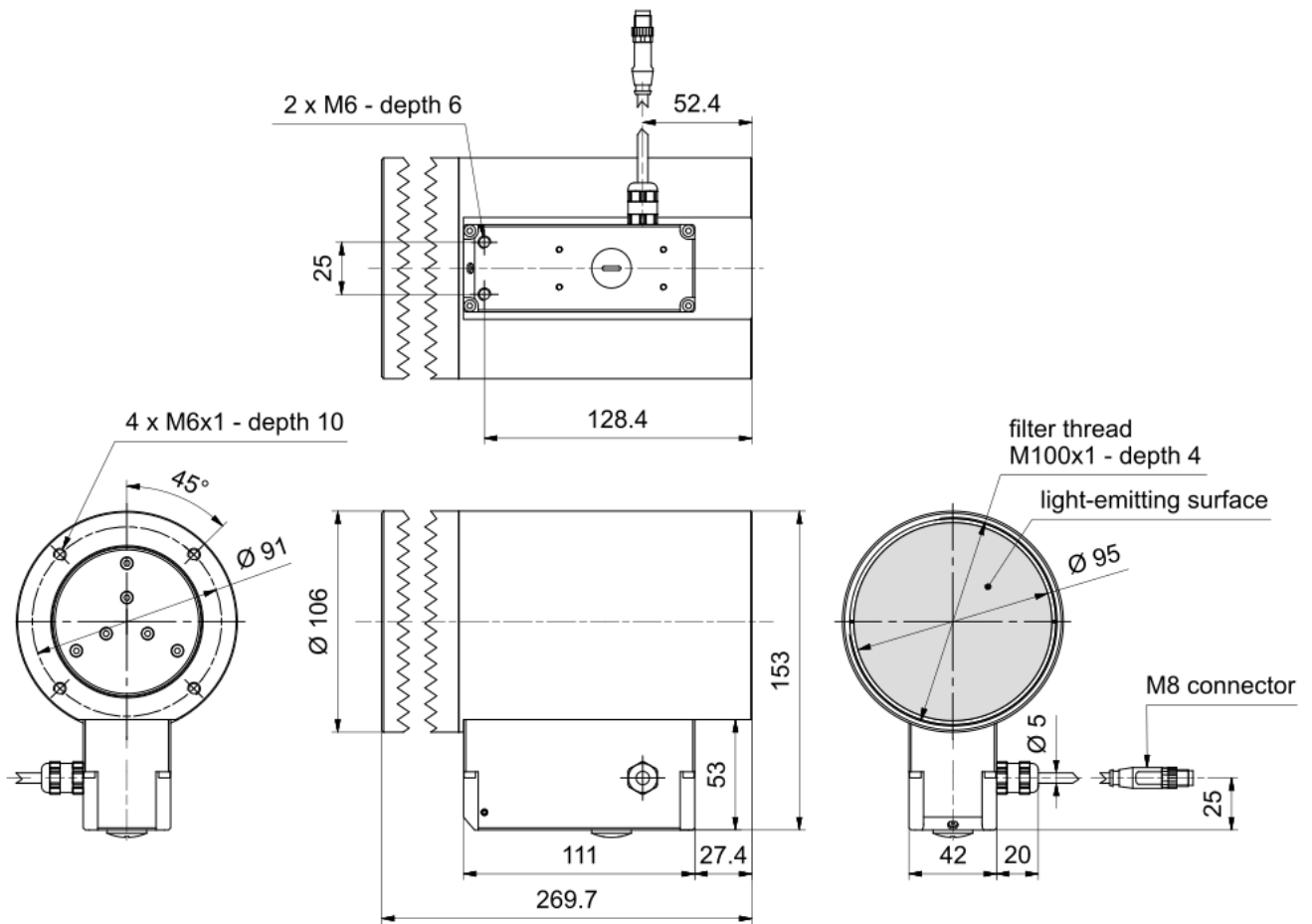
Notices

The lighting can only be operated in conjunction with a suitable Current source.

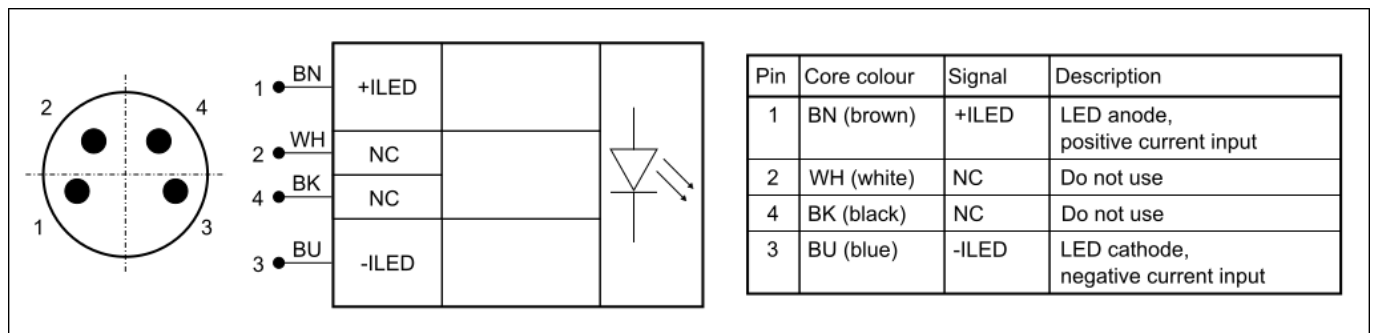
Accessories for Telecentric lights - TZB95-B470/UDC/-a

Order number	Title	Description
Connection cable M8-4pin		
1-11-611	Cable-M8-4p-5A-straight-1m	4x0.5mm ² , 5A, 30V, PUR, IP67, M8-4pin straight socket to free cable end
1-11-612	Cable-M8-4p-5A-straight-2m	4x0.5mm ² , 5A, 30V, PUR, IP67, M8-4pin straight socket to free cable end
1-11-613	Cable-M8-4p-5A-straight-3m	4x0.5mm ² , 5A, 30V, PUR, IP67, M8-4pin straight socket to free cable end
1-11-614	Cable-M8-4p-5A-straight-5m	4x0.5mm ² , 5A, 30V, PUR, IP67, M8-4pin straight socket to free cable end
1-11-609	Cable-M8-4p-4A-straight-5m	4x0.25mm ² , 4A, 60V, PUR, IP67, M8-4pin straight socket to free cable end
1-11-607	Cable-M8-4p-4A-straight-10m	4x0.25mm ² , 4A, 60V, PUR, IP67, M8-4pin straight socket to free cable end
1-11-605	Cable-M8-4p-4A-angled-2m	4x0.25mm ² , 4A, 60V, PUR, IP67, M8-4pin angled socket to free cable end
1-11-604	Cable-M8-4p-4A-angled-5m	4x0.25mm ² , 4A, 60V, PUR, IP67, M8-4pin angled socket to free cable end
1-11-606	Cable-M8-4p-4A-angled-10m	4x0.25mm ² , 4A, 60V, PUR, IP67, M8-4pin angled socket to free cable end
Extension cable M8-4pin		
1-11-093	Extension cable-M8-4p-5A-0.6m	4x0.5mm ² , 5A, 30V, PUR, IP67, M8-4pin straight socket to M8-4pin straight plug
1-11-094	Extension cable-M8-4p-5A-1.5m	4x0.5mm ² , 5A, 30V, PUR, IP67, M8-4pin straight socket to M8-4pin straight plug
1-11-095	Extension cable-M8-4p-5A-3.0m	4x0.5mm ² , 5A, 30V, PUR, IP67, M8-4pin straight socket to M8-4pin straight plug

Drawings



Dimensional drawing in mm



Pin assignment: M8 connector