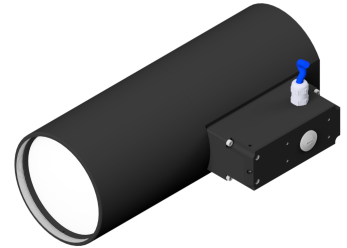

vicolux® Telecentric Light - TZB95-IR880-24V

Short description: telecentric light, IR850, If diameter: 95 mm,
static, cable open-ended

Order number: 1-10-381

EAN: 4251692646267



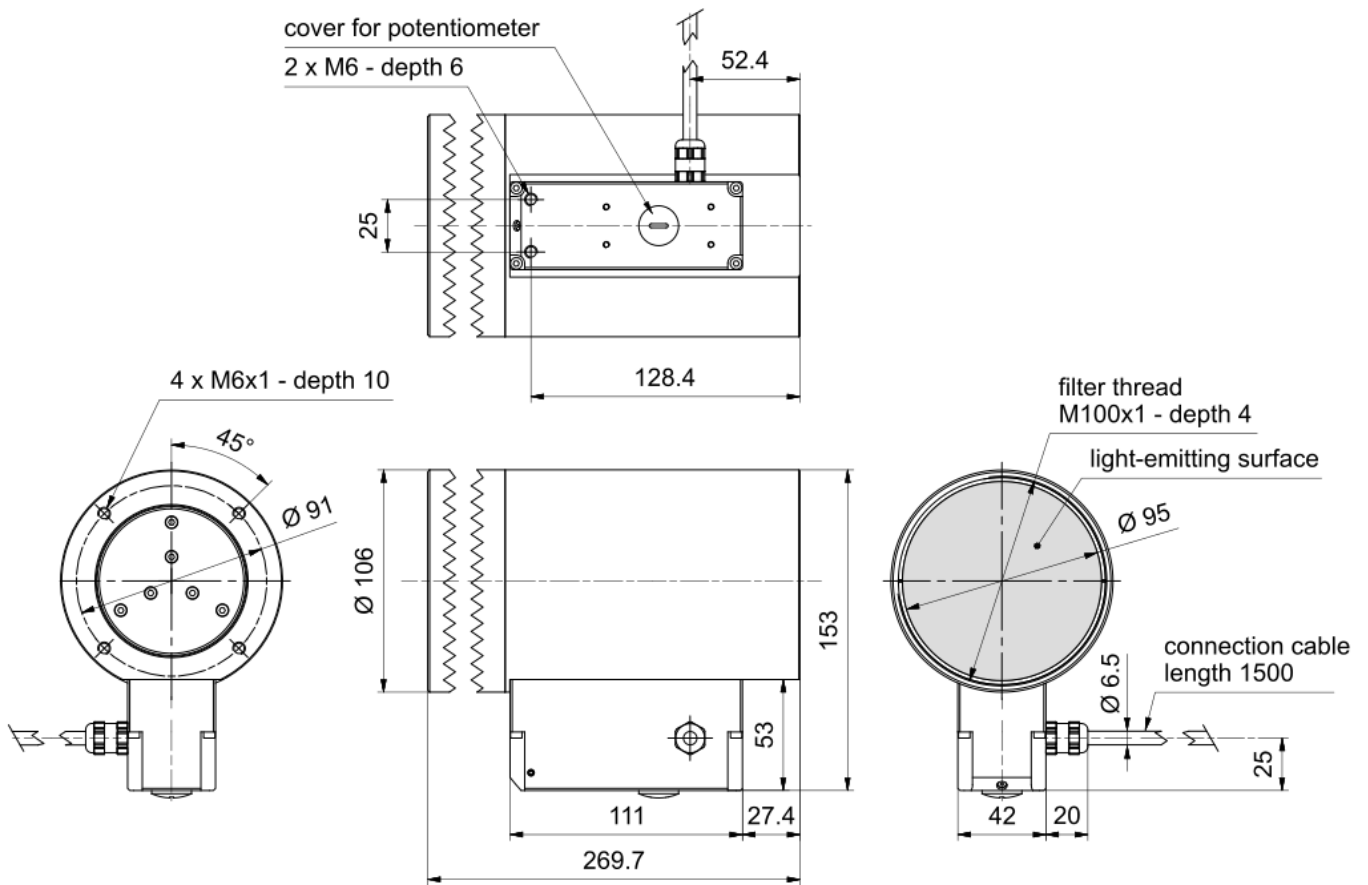
Characteristics

- telecentric LED lighting - parallel (collimated) beam path
 - ideal as backlight in combination with telecentric lenses
 - for the targeted highlighting of edges and surface structures as well as for the detection of inclusions and defects in transparent materials
 - lighting controller integrated in the housing - brightness adjustable
 - connection: cable with M8 connector
 - diverse attachment options and extensive accessories
-

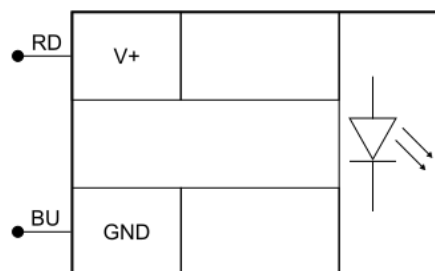
Technical data

Light-emitting surface	Diameter: 95 mm
Light design	Telecentric
Light colour (typ.)	Infrared, 880 nm
Luminous flux (typ.)	0.52 mW
Operating mode	Switchable continuous operation
Special feature	Brightness setting manually on the potentiometer
Operation voltage	24 VDC (10 - 30 V)
Power consumption	max. 3.6 W (150 mA at 24 VDC)
Housing material	Aluminium, black anodised
Optical material	Glass
Filter thread	M100 x 1 - depth 4 mm
Weight	3,130 g
Degree of protection	IP50
Safety class	Class III, safety extra low voltage (SELV)
Risk group (DIN EN 62471)	Freie Gruppe
Ambient temperature	-10 °C bis +45 °C
Cable	
Cable length	1,500 mm
Cable diameter	6.5 mm
Cable structure	4 x 0.25 mm ² and 3 x 0.5 mm ²
Drag chain suitable	yes

Drawings



Dimensional drawing in mm



Core colour	Signal	Description
RD (red)	V+	Operating voltage
BU (blue)	GND	Ground

Pin assignment: cable open, 2-core