

---

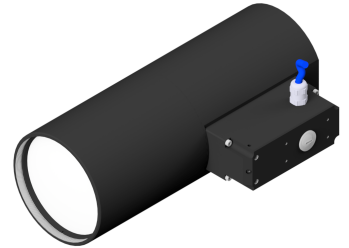
## vicolux® Telecentric Light - TZB95-R625-24V

---

**Short description:** telecentric light, red, If diameter: 95 mm,  
static, cable open-ended

**Order number:** 1-10-380

**EAN:** 4251692646250



---

### Characteristics

- telecentric LED lighting - parallel (collimated) beam path
  - ideal as backlight in combination with telecentric lenses
  - for the targeted highlighting of edges and surface structures as well as for the detection of inclusions and defects in transparent materials
  - lighting controller integrated in the housing - brightness adjustable
  - connection: cable with M8 connector
  - diverse attachment options and extensive accessories
-

---

## Technical data

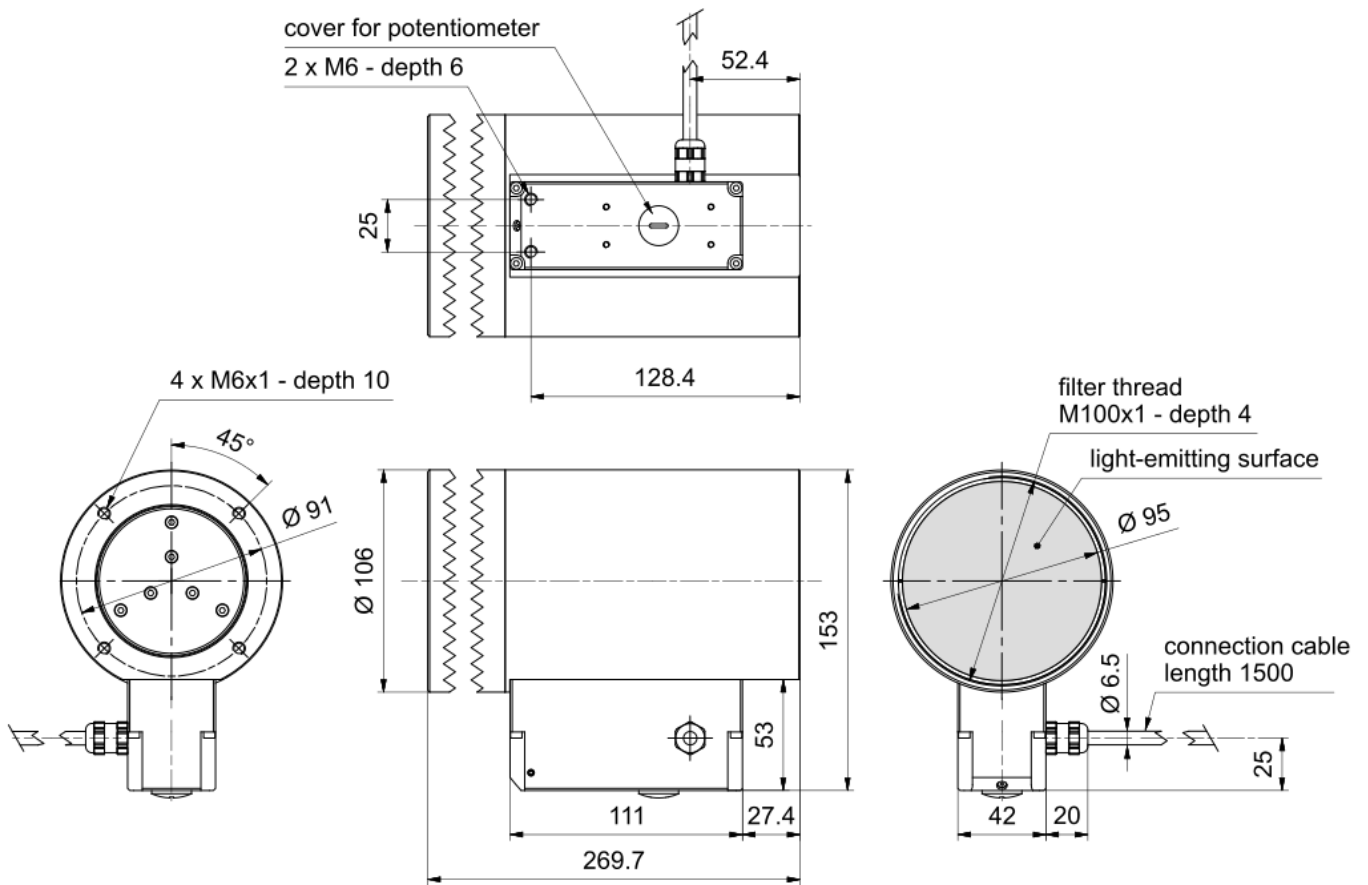
Light-emitting surface	Diameter: 95 mm
Light design	Telecentric
Light colour (typ.)	Red, 625 nm
Luminous flux (typ.)	5 mlm
Operating mode	Switchable continuous operation
Special feature	Brightness setting manually on the potentiometer
Operation voltage	24 VDC (10 - 30 V)
Power consumption	max. 3.6 W (150 mA at 24 VDC)
Housing material	Aluminium, black anodised
Optical material	Glass
Filter thread	M100 x 1 - depth 4 mm
Weight	3,130 g
Degree of protection	IP50
Safety class	Class III, safety extra low voltage (SELV)
Risk group (DIN EN 62471)	Freie Gruppe
Ambient temperature	-10 °C bis +45 °C

### Cable

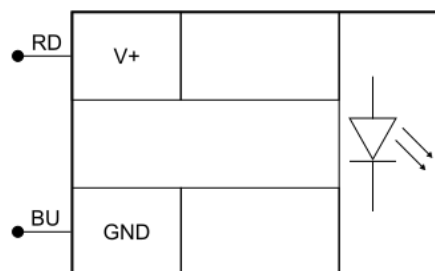
Cable length	1,500 mm
Cable diameter	6.5 mm
Cable structure	4 x 0.25 mm <sup>2</sup> and 3 x 0.5 mm <sup>2</sup>
Drag chain suitable	yes

---

## Drawings



Dimensional drawing in mm



Core colour	Signal	Description
RD (red)	V+	Operating voltage
BU (blue)	GND	Ground

Pin assignment: cable open, 2-core