
vicolux® Ring Light - RK1220-G525-24V/BA- Diameter of luminous field 24/40 mm

Short description: ring light, green, coaxial, lf diameter: 24/40 mm, static/switchable

Order number: 1-10-242

EAN: 4251692644409



Characteristics

- LED ring light with direct illumination for direct mounting on lenses
 - homogeneous illumination
 - lighting controller integrated in casing
 - continuous or pulsed operation
 - pulse-length adjustable, brightness pre-set
 - connection: cable with open ends
 - robust metal casing, protection class IP67
 - extensive optics and mounting accessories available
-

Technical data

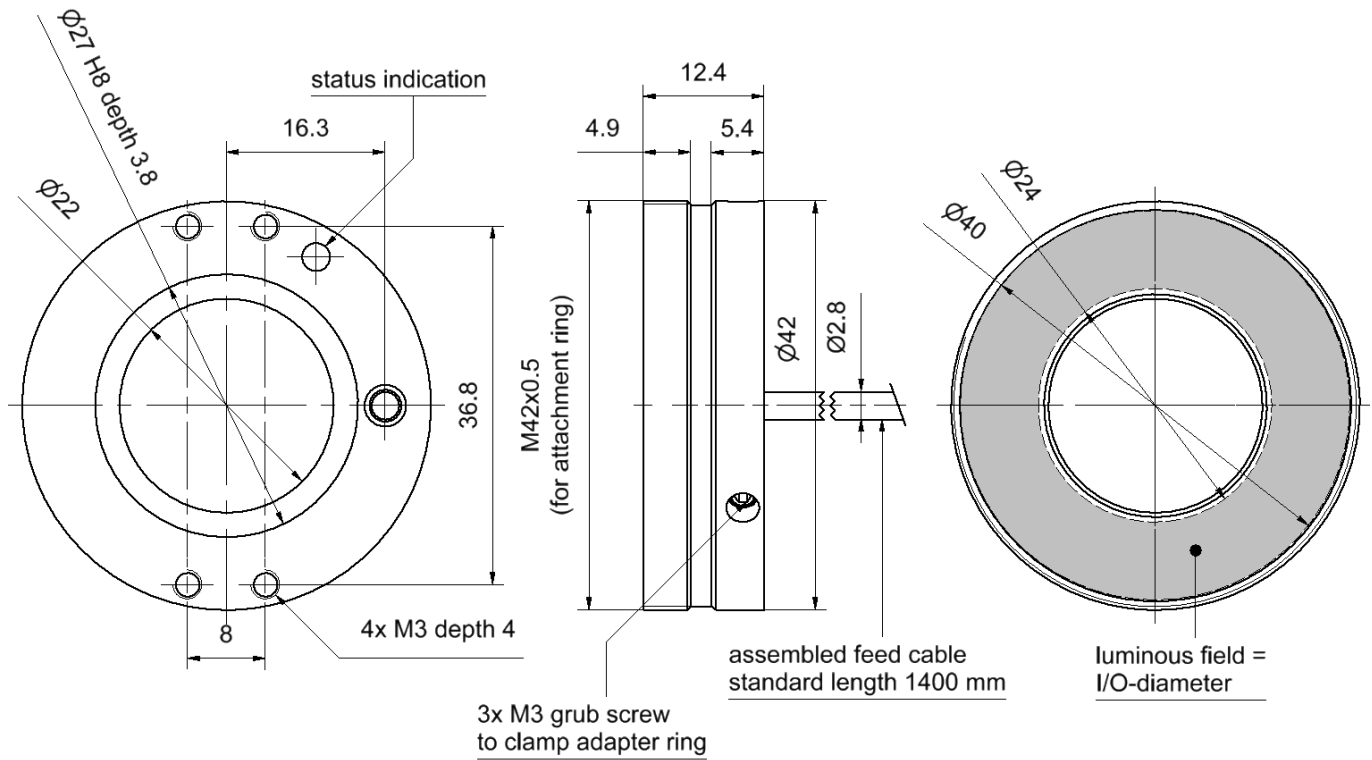
Light-emitting surface	Inner diameter: 24 mm Outer diameter: 40 mm
Light colour	Green, 525 nm
Power supply	24 VDC (18 -30 V)
Continuous operation	
• Power consumption	2.5 W (@ 24 VDC)
• Irradiance	52 W/m ² (@ 50 mm) 44 W/m ² (@ 100 mm)
Housing material	Aluminium, black anodised
Optical material	LED, moulded
Weight	38 g
Degree of protection	IP67
Safety class	Class III, safety extra low voltage (SELV)
Risk group (DIN EN 62471)	Freie Gruppe
Ambient temperature	0 °C ... +45 °C

Accessories for Ring lights - RK1220-G525-24V/BA

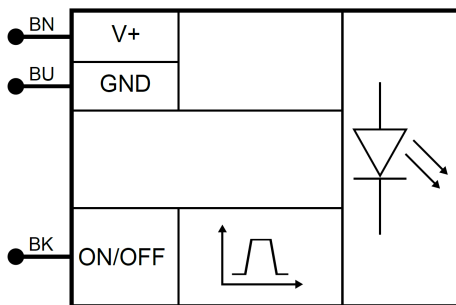
Order number	Title	Description
Attachment ring		
1-10-011	Attachment ring M42x0.5	for RK1220, for attachment of beam shaping optics
Set of Accessories		
1-10-012	Accessory kit RK1220	Attachment ring M42x0.5, diffuser 15% d40, fresnel lens F50 d40, Fresnel lens F100 d40
Diffusers		
1-10-010	Diffuser 15% d40	for RK1220, usable with attachment ring M42x0.5 (Order No.: 1-10-011)
1-10-005	Diffuser 40% d40	for RK1220, usable with attachment ring M42x0.5 (Order No.: 1-10-011)
Polarisers for Ring Lights		
1-10-004	Polariser linear d40	for RK1220, usable with attachment ring M42x0.5 (Order No.: 1-10-011)
Focusing and Fresnel lens		
1-10-008	Fresnel lens F50 d40	for RK1220, usable with attachment ring M42x0.5 (Order No.: 1-10-011)
1-10-009	Fresnel lens F100 d40	for RK1220, usable with attachment ring M42x0.5 (Order No.: 1-10-011)
Dark field attachment		
1-10-003	Reflector ring 1105	for RK1220, useable with Attachment ring M42x0.5 and Diffuser 40% d40
Adapters for attaching lights to lenses		
1-10-002	Adapter ring d27 - M25.5x0.5	for RK1220, for attachment to lenses with filter thread M25.5x0.5
1-10-007	Adapter ring d27 - M26x0.5	for RK1220, for attachment to lenses with filter thread M26x0.5
1-10-006	Adapter ring d27 - M27x0.5	for RK1220, for attachment to lenses with filter thread M27x0.5
1-10-022	Adapter ring d27 - d35.5	for RK1220, for attachment to lenses with clamping diameter 35.5 mm
Beam splitter STE30x30		

Order number	Title	Description
1-18-041	Adapter STE30x30 - RK1220	Attachment of the STE30x30 to the RK1220

Drawings



Dimensional drawing in mm



Core colour	Signal	Description
BN (brown)	V+	Operating voltage
BU (blue)	GND	Ground
BK (black)	ON/OFF	Switch input

Pin assignments: free cable end, 3-wire