
Accessory for Ring Lights - Adapter ring d27 - d35.5

Short description: for RK1220, for attachment to lenses with clamping diameter 35.5 mm

Order number: 1-10-022



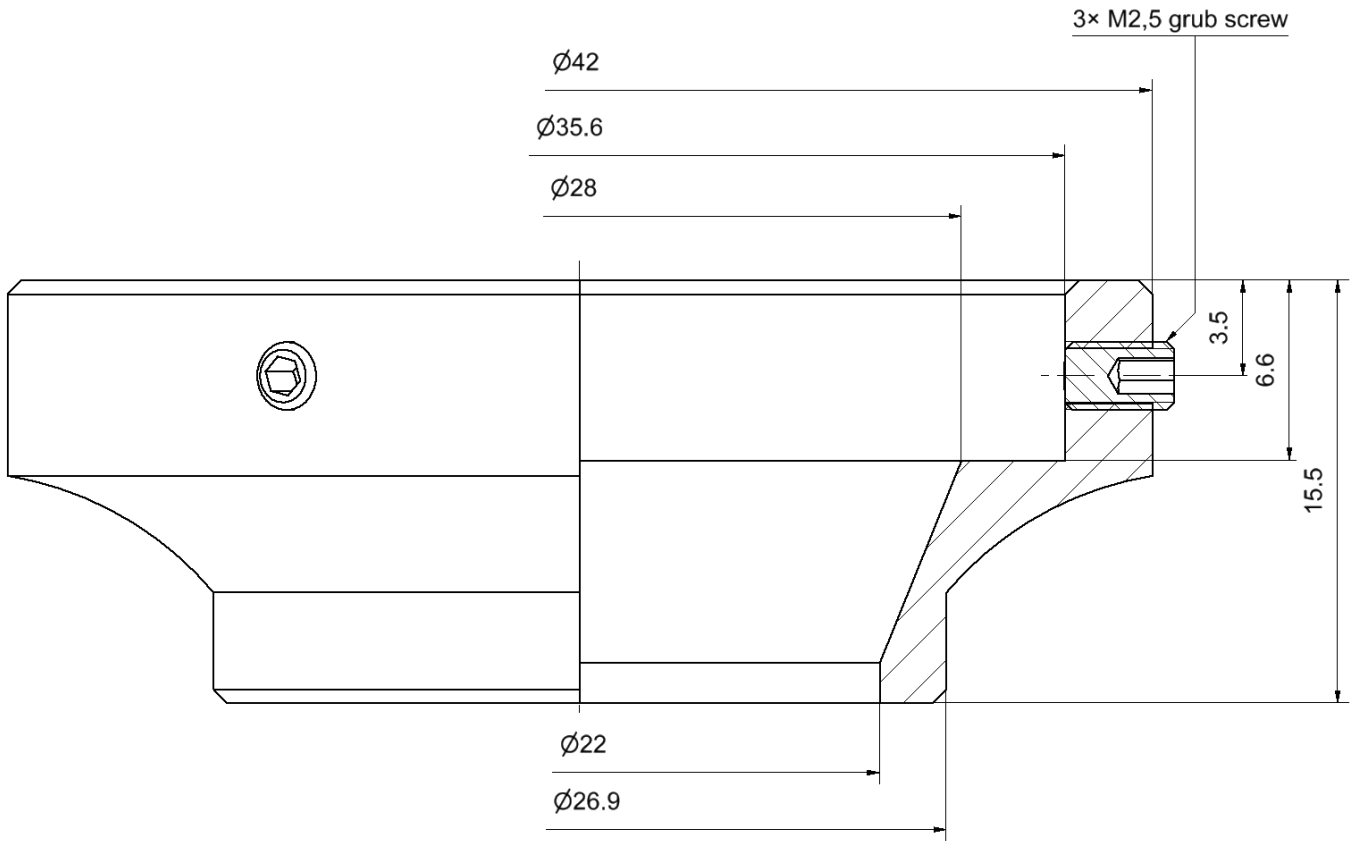
Characteristics

- lens adapter for ring lights
 - for attaching ring lights to lenses with clamping diameter of 35.5 mm
-

Technical data

Material	Aluminium, black anodised
Clamping diameter	27 mm
Clamping diameter	35.5 mm
Can be combined with:	
Ringbeleuchtung	RK1220 series

Drawings



Dimensional drawing in mm