

---

## Accessory for Ring Lights - Fresnel lens F50 d40

---

**Short description:** for RK1220, usable with attachment ring M42x0.5 (Order No.: 1-10-011)

**Order number:** 1-10-008



---

### Characteristics

- focussing plate made of PMMA
  - for focusing light in incident light applications
  - the attachment to the lighting is done by the attachment ring M42x0.5
-

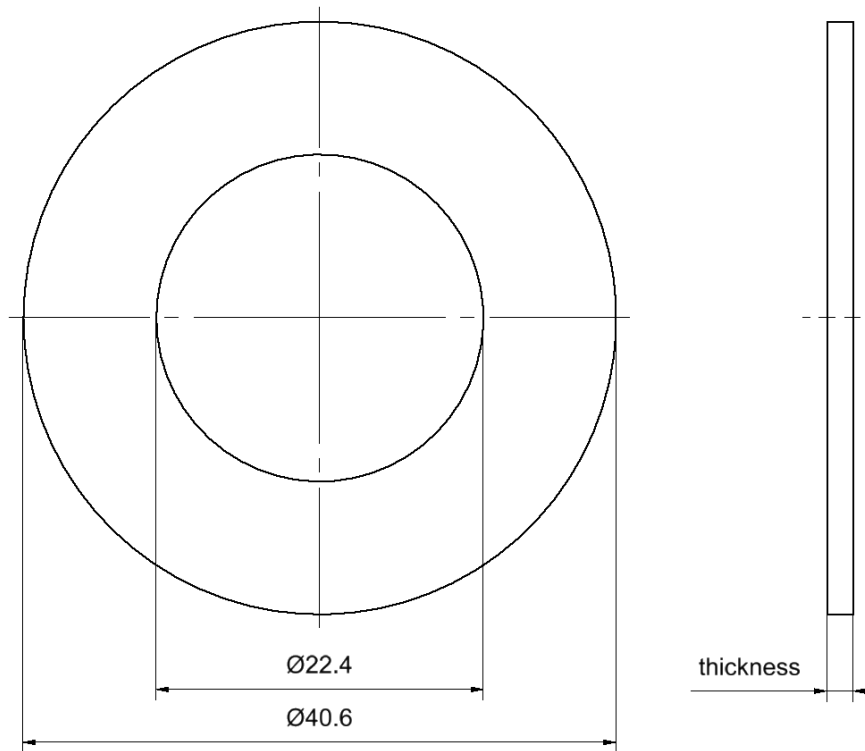
---

**Technical data**

Optical material	PMMA
Spectral range	400 nm - 1100 nm
Focal length	50.8 mm (546 nm)
Refractive index	1.49
Outer diameter	40.6 mm
Inner diameter	22.4 mm
Material thickness	1.8 mm
Weight	1.7 g
Can be combined with:	
Ring light	RK1220

---

## Drawings



Dimensional drawing in mm